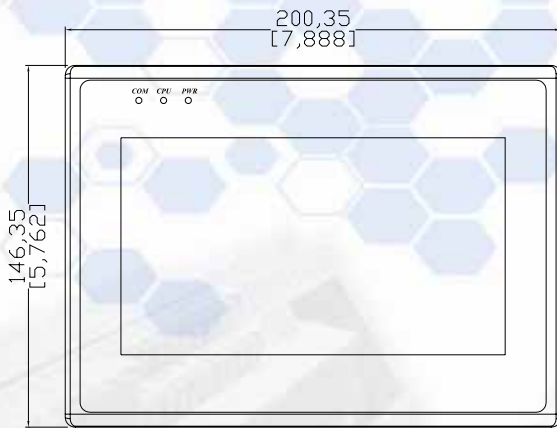
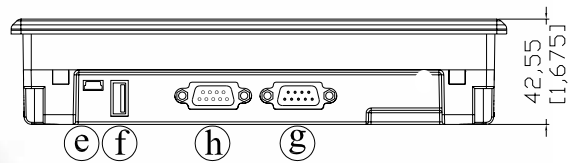


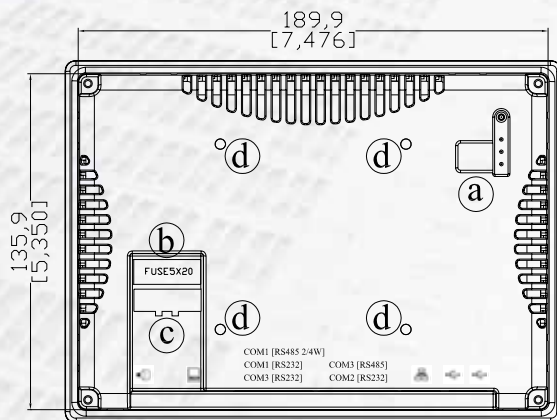
◆ **Dimensions Drawing**



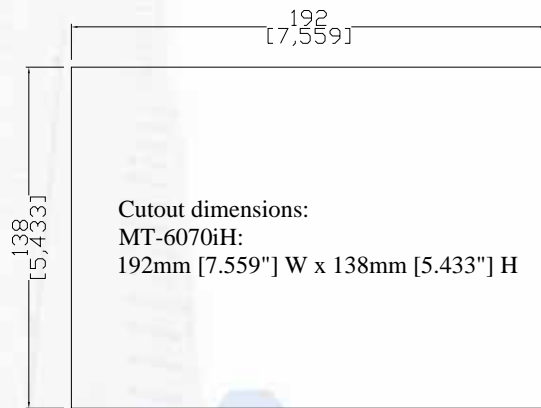
Front View



Bottom View



Rear View



a	DIP SW & Reset button	e	USB Client port
b	Fuse	f	USB Host port
c	Power connector	h	Com1 RS232, Com2 RS232
d	VESA 75mm screw holes	g	Com1 RS485, Com3 RS485, Com3 RS232

Ordering Information

- ❑ **OP-MT6070iH-CT:**
7" 800x480 TFT LCD HMI, 128MB flash memory/64MB DDR2 RAM on board.
- ❑ **OP-MT6070iH-IW:**
7" 800x480 TFT LCD HMI, 128MB flash memory/64MB DDR2 RAM on board, wall mounting kit.
- ❑ **FRM07-S03-AL-NAT, FRM07-S03-AL-BLC:**
5.6" Decorative frame, 276 x 210mm, natural or black Aluminum